



Drive thru with Simplicity

# TICKET WINDOWS

## BULLET RESISTANT & NON-BULLET RESISTANT

### STANDARD FEATURES

- Shipped fully-assembled and ready to install
- Warranty backed with Nationwide Service Centers
- Dark bronze or clear anodized aluminum
- Corrosion resistant material: anodized aluminum and #304-#3 finish stainless steel
- Constructed with high visibility bullet resistant materials (Level 1)
- Quik Tube Systems security sheet (level 1, 2 or 3)
- Stainless steel flip lid built into deal tray

### OPTIONAL FEATURES

- Custom colors available
- Various glazing options (B/R, Insulated, Tinted, etc)
- 1/4" tempered safety glass with or without speak-thru
- Amplified speak-thru
- Stainless steel framing
- Slide-up service openings



T1-2436S

### SECURITY EXCHANGE / TICKET WINDOWS

Models T1-2436S (shown), T1-3036 and T1-3636 are designed with security in mind. Used widely in cash express locations, ticket booths, hotels, security deposit locations and anywhere security is required for the transfer of funds or smaller items. Level 1, 2 and 3 bullet resistant available. Ticket window has the deal tray built into the base (8" x 11-1/2") along with a flip cover to prevent drafts from entering the building.

- Standard Sizes:**
- 24" (w) x 36" (h)
  - 30" (w) x 36" (h)
  - 36" (w) x 36" (h)
- Custom sizes available



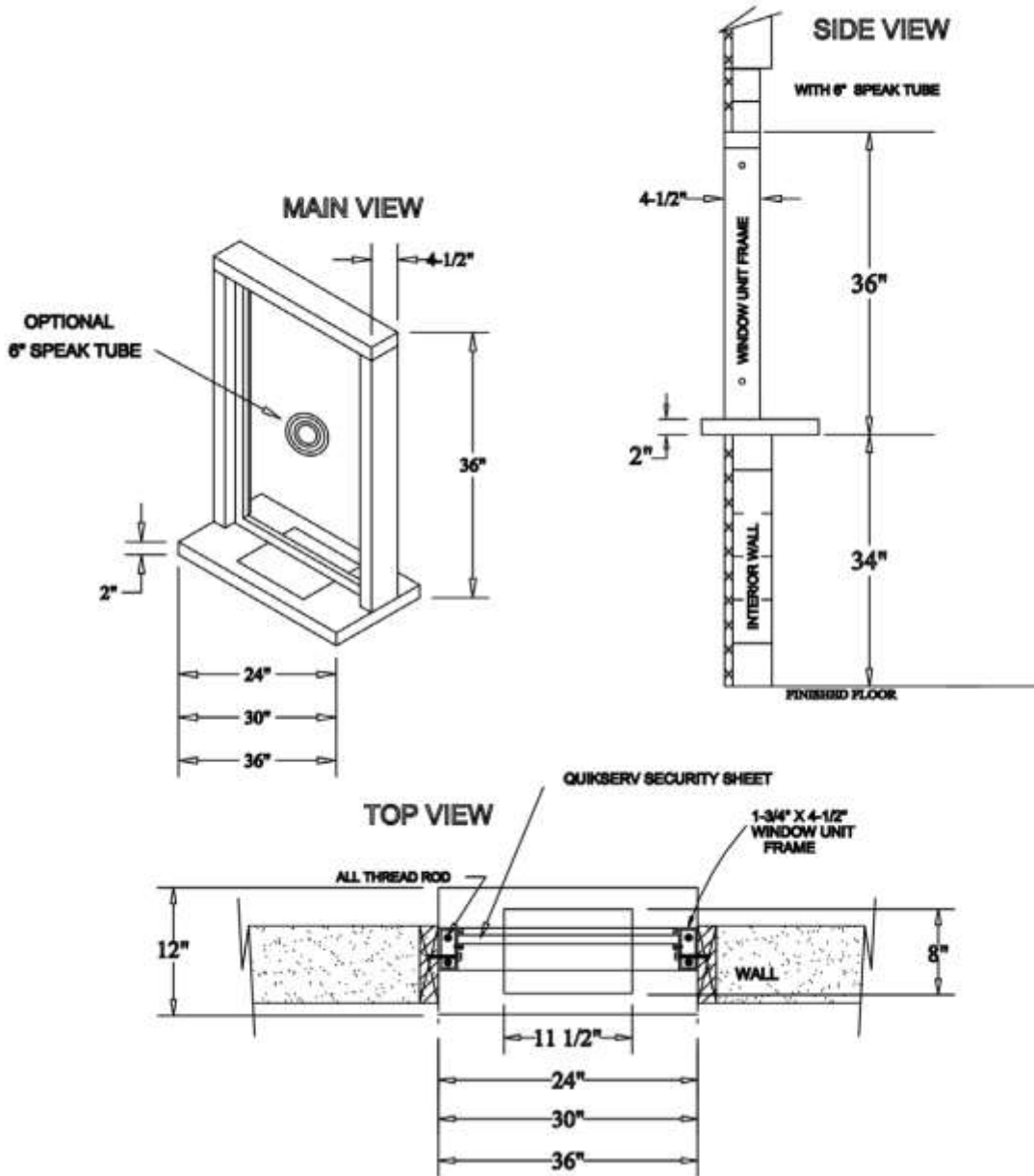
VARIOUS SIZES AVAILABLE

ALL QUICK TUBE SYSTEMS PRODUCTS ARE SHIPPED FULLY-ASSEMBLED and READY TO INSTALL

QUICK TUBE SYSTEMS • 24501 HUFFSMITH KORHVILLE ROAD, SUITE 300 • TOMBALL, TX 77375 • (832) 717-0549 • www.quicktubesystems.com

# MODEL T1-24S / 30S / 36S

B.R PROTECTION LEVEL 1,2 OR 3  
6" OPTIONAL SPEAK TUBE



ALL QUICK TUBE SYSTEMS PRODUCTS ARE SHIPPED FULLY-ASSEMBLED and READY TO INSTALL