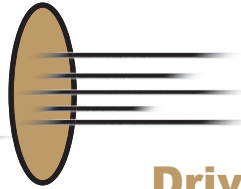


QUICK TUBE

Systems, Inc.



Drive thru with Simplicity

Pharmacy Combo Series

Series: Mini, Junior and Senior



Model PCJ-130 shown

Comes complete with framing and ready for installation. Designed for easy installation saving unnecessary high installation cost.



Model PCS-130 shown

Custom mill work available for all pharmacy combo units.

Drive thru with Simplicity

With Quick Tube's new line of pharmacy combo series, we offer pharmacies a through-the-wall, drive-thru solution for both new construction and retrofit projects. Unlike other "All in One" units, our simple but unique framing system allows installation for any wall size eliminating costly construction charges.

Pharmacy Combo Mini

PCM-130, PCM-130E & PCM-150

These economical units are shipped with a complete framing system and your choice of the C-130 manual transaction drawer, C-130E fully automatic transaction drawer or the "Bulk" Security transaction drawer model C-150. Each unit comes with UL 752 level 1 glazing with level 3 as an option.

Pharmacy Combo Junior

PCJ-130, PCJ-130E & PCJ-150

This popular unit offers you the complete framing system and your choice of the C-130 manual transaction drawers, C-130E fully automatic transaction drawer or the "Bulk" Security transaction drawer model C-150. Each unit comes standard with UL 752 level 1 glazing and night drop. Add that to the newest audio technology and optional lane sensors and your customer service will surpass all.

Pharmacy Combo Senior

PCS-130, PCS-130E & PCS-150

This unit offers the complete system and is designed with remodels in mind. It comes complete with framing system and your choice of the C-130 manual transaction drawers, C-130E fully automatic transaction drawer or the "Bulk" Security transaction drawer model C-150. Each unit comes standard with UL 752 level 1 glazing, night drop and custom mill work giving you the finishing touch.

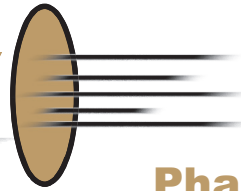
Options

Integrated two way audio and video, privacy handsets, wireless headsets, lane sensors, night drop, canopies, kiosk, signage and much more.

Custom units available.

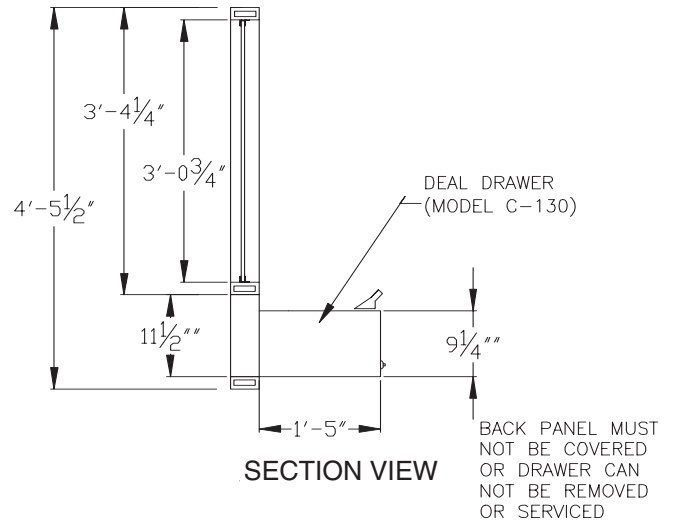
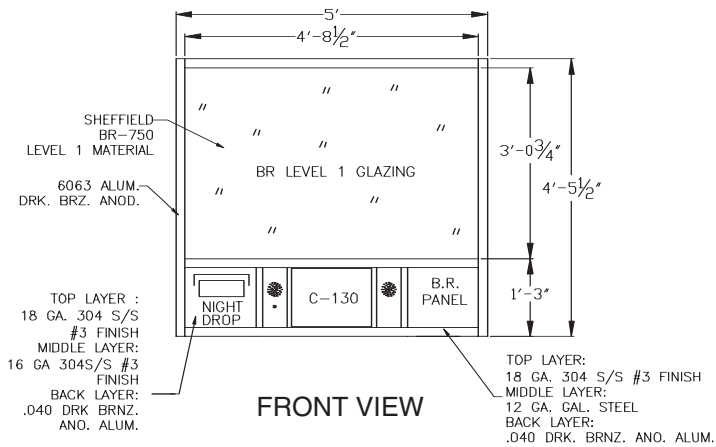
QUICK TUBE

Systems, Inc.

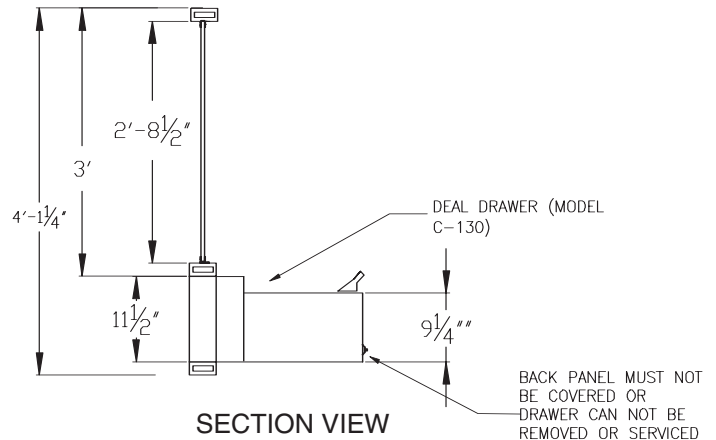
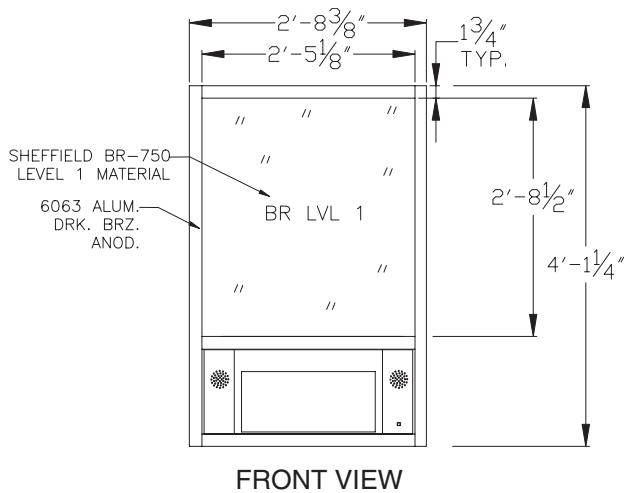


Pharmacy Combo Series

MODEL PCJ-130, PCJ-130E, and PCJ-150



MODEL PCM-130, PCM-130E, and PCM-150



Specifications. . .

Rough Opening PCJ-130, PCJ-130E & PCJ-150: 60 1/2"(W) x 54" (H)

Rough Opening PCM-130, PCM-130E & PCM-150: 32 3/4"(W) x 49 5/8" (H)

Transfer sizes: C-130: 13"(w) x 7 1/2"(h) x 18"(d)
C-130E: 13"(w) x 6 1/2"(h) x 16"(d)
C-150: 13 1/3"(w) x 9"(h) x 21"(d)

Operation: Manual C-130, C-150, Electric C-130E

Finish:

Exterior Body: 18 Ga. Stainless Steel

Interior Body: 18 Ga. Stainless Steel

Microphone & Speaker Grill: 18 Ga. Stainless Steel

Security Slide Lid: 16 Ga. Stainless Steel

Transfer Area: 18 Ga. Stainless Steel with White PVC Side, Wind Protective Panels

Front Panel: 14 Ga. Stainless Steel backed with 16 Ga. Stainless Steel

Handle: White HDPE (High Density Polyethylene)

Slide Rails: Zinc plated steel

Lock Bar: 6061 Aluminum

Note: Aluminum framing is not bullet resistant rated

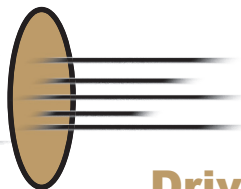
Electrical Version: Requires 110 vac, 20 amp circuit to duplex outlet centered below drawer opening 24" above finished floor

Quick Tube Systems, Inc.

12519 Oak Park Drive • Houston, Texas 77070 • Phone: 832-717-0549 • Fax: 281-754-4797 • www.quicktubesystems.com

QUICK TUBE

Systems, Inc.



Drive thru with Simplicity

Pharmacy Slider Drawer Combo

Series: Slider Drawer, Slider Bulk Security Drawer and Fixed Drawer



Model FDC-130 shown

Providing higher security with Level 1 or 3 bullet resistant glass as an option.



Model SDC-130 shown

Provides dual purpose drive thru operations without losing your security. Comes fully assembled and ready for installation.

Drive thru with Simplicity

The pharmacy slider/drawer combo series offers a through-the wall drive-thru solution for both new construction and retrofit projects. The unique slider/drawer combo design offers your customers friendly and personal service during day time operation by using the manual "self-closing" slider with UL Level 1 glazing. As nighttime approaches, the security transaction drawer offers your attendants a safe and secure method of continued service with security at its highest.

Slider Drawer Combo

SDC-130 & SDC-130E:

This combo series comes with the "self closing" slider and your choice of the manual C-130 or the fully automatic C-130E security transaction drawer. Add that with the newest audio technology and your profits and customer service will be second to none. Overall Dimensions: 48" (w) x 51" (h). Units come complete and ready for installation.

Slider Bulk Security Drawer Combo

SDC-150:

This combo unit comes with the "self closing" slider and the "Bulk" Security transaction drawer model C-150. This unit offers the largest of transfer areas while giving you the most in security with an auto locking interior security door. Add that with the newest audio technology and your profits and customer service will be second to none. Overall Dimensions: 48" (w) x 55" (h). Units come complete and ready for installation.

Fixed Drawer Combo Units

FDC-130, FDC-130E & FDC-150:

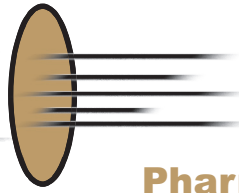
Looking for higher security each of the above models can come with level 1 or 3 bullet resistant glass. Each model is available with three options of transaction drawers (C-30, C-130E or C-150). Comes fully assembled and ready for installation.

Options

Integrated two way audio and video, privacy handsets, wireless headsets, lane sensors, night drop, canopies, kiosk, signage and much more.

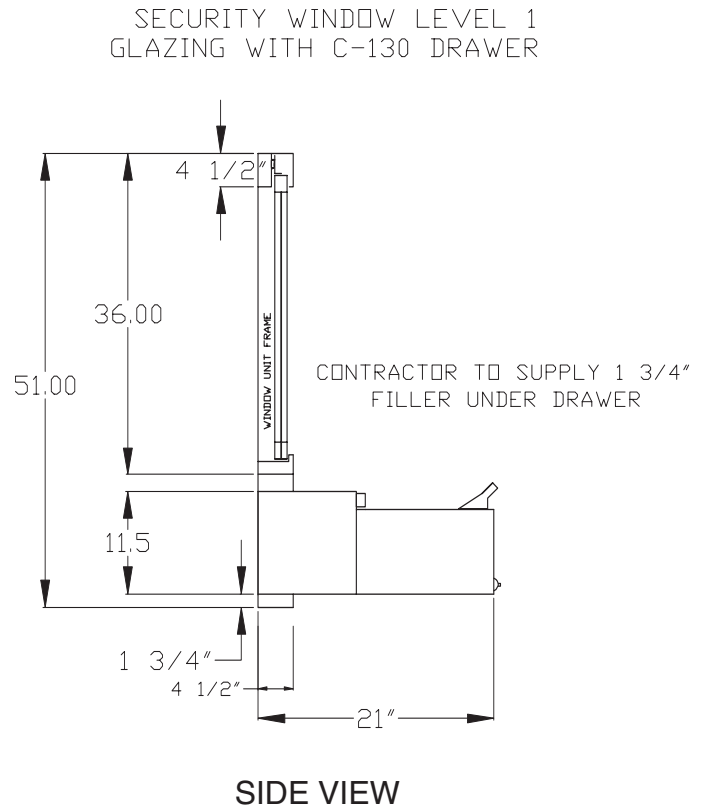
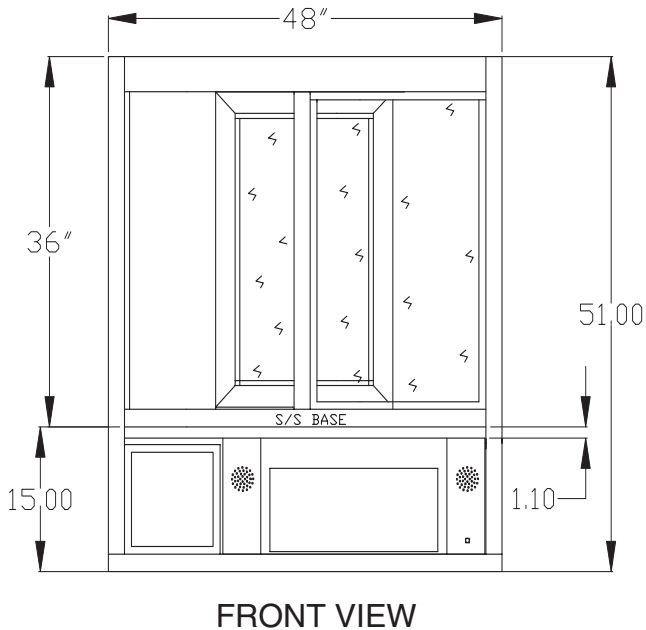
QUICK TUBE

Systems, Inc.



Pharmacy Slider Drawer Combo

MODEL SDC-130/SDC-150 SLIDER/DRAWER COMBO EXPRESS



Specifications . . .

Rough Opening: SDC-130, SDC-130E: 48 1/2"(w) x 51 1/2"(h)
SDC-150: 48 1/2"(w) x 55 1/2"(h)

Actual Dimension: SDC-130, SDC-130E: 48"(w) x 51"(h)
SDC-150: 48"(w) x 55"(h)

Operation: Manual C-130, C-150, Electric C-130E

Finish:

Exterior Body: 18 Ga. Stainless Steel

Interior Body: 18 Ga. Stainless Steel

Microphone & Speaker Grill: 18 Ga. Stainless Steel

Security Slide Lid: 16 Ga. Stainless Steel

Transfer Area: 18 Ga. Stainless Steel with white PVC side.

Wind Protective Panels

Front Panel: 14 Ga. Stainless Steel backed with 16 Ga. Stainless Steel

Handle: White HDPE (High Density Polyethylene)

Slide Rails: Zinc plated steel

Lock Bar: 6061 Aluminum

Weight: 200 Pounds

Electrical Version: Requires 110 vac, 20 amp circuit to duplex outlet centered below drawer opening 24" above finished floor

Quick Tube Systems, Inc.

12519 Oak Park Drive • Houston, Texas 77070 • Phone: 832-717-0549 • Fax: 281-754-4797 • www.quicktubesystems.com