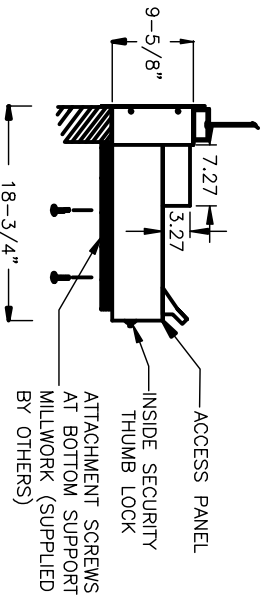
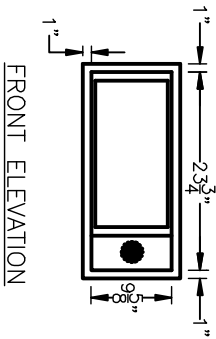


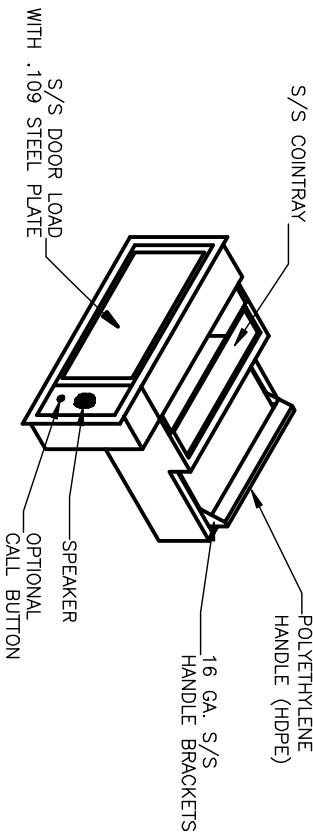
PLAN VIEW



SIDE VIEW



FRONT ELEVATION

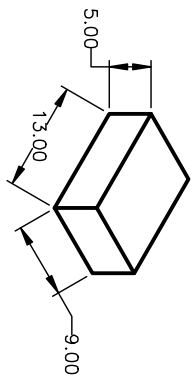


DETAILS
NOT TO SCALE

NOTES:
ROUGH OPENING: 24-1/8"(W) X 10"(H)
ACTUAL DIMENSION: 23-3/4"(W) X 9-5/8"(H)
OPERATION: MANUAL

FINISH:
EXTERIOR BODY: 18 GA. S/S
INTERIOR BODY: 18 GA. S/S
MIC & SPEAKER GRILL: 18 GA. S/S
DUAL TRANSFER AREA: 18 GA. S/S
DEAL TRAY WITH CLIP: 18 GA. S/S
FRONT PANEL: 14 GA. S/S AND BACKED WITH 16 GA. S/S
HANDLE: HDPE (HIGH DENSITY POLYETHYLENE)
WHITE SLIDE RAILS: ZINC PLATED STEEL
WEIGHT: 76 LBS.

TRANSFER AREA: 7-1/2" X 13-3/4" X 10-3/4"
TRANSFER AREA CAPACITY: 1108.59 CUBIC INCHES



MAXIMUM BOX SIZE

DEAL DRAWER			
MODEL C-110 WALK UP			
DETAIL SHEET			
QUICK TUBE SYSTEM, INC			
Houston, TX			
DATE	BY	CHKD	APP'D
03/04/2009	NTS	RJE	
C Drive Drawings			Sheet # C-110