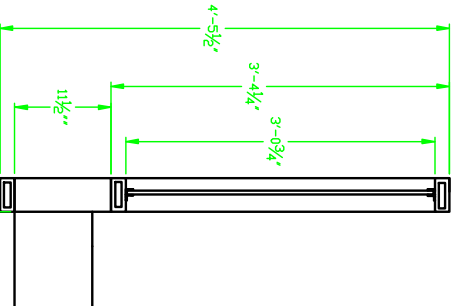


TOP LAYER :
 18 GA. 304 S/S #3 FINISH
 MIDDLE LAYER:
 16 GA. 304S/S #3 FINISH
 BACK LAYER:
 .040 DRK BRNZ. ANO. ALUM.

ELEVATION VIEW

TOP LAYER:
 18 GA. 304 S/S #3 FINISH
 MIDDLE LAYER:
 12 GA. GAL. STEEL
 BACK LAYER:
 .040 DRK. BRNZ. ANO. ALUM.

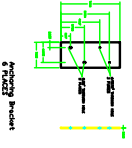
ANCHOR SCREW TO
 BE SUPPLIED BY OTHERS



SECTION VIEW

BACK PANEL MUST NOT BE
 COVERED OR DRAWER CAN NOT
 BE REMOVED OR SERVICED

NOTE:
 ALUMINUM FRAMING IS NOT
 BULLET RESISTANT RATED.
 THIS UNIT MUST BE INSTALLED
 LEVEL AND SQUARE TO
 OPERATE PROPERLY.



Quick Tube Systems, Inc.
PCJ - 130
DETAIL SHEET

DATE 03/04/2008	SCALE NTS	DRAWN RUE	APPROVED RUE	DRAWING # PCJ - 130
--------------------	--------------	--------------	-----------------	------------------------

832-717-0549 **Houston, TX**

C Drive! Drawings