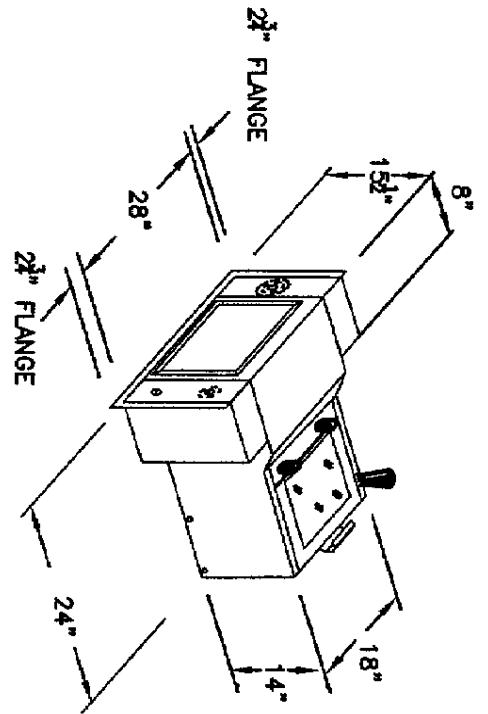
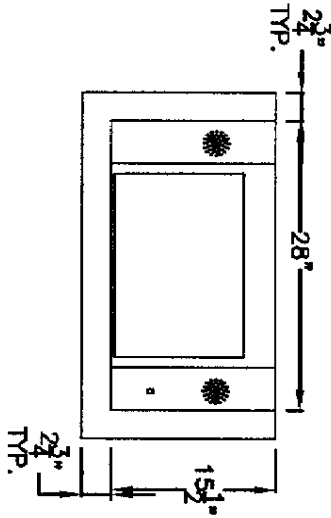


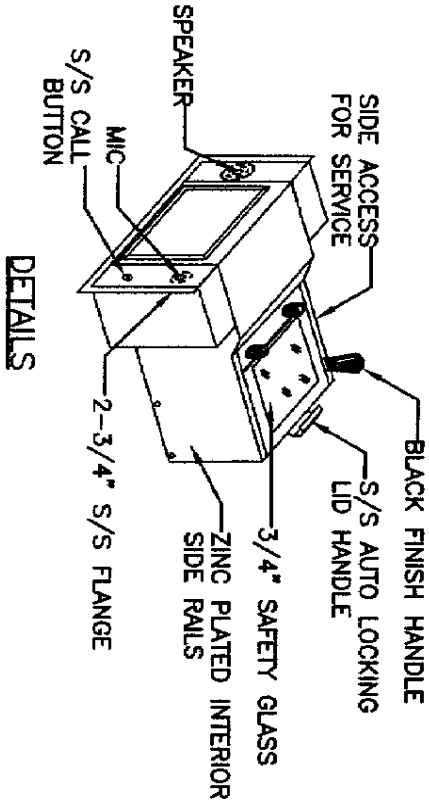
PLAN VIEW



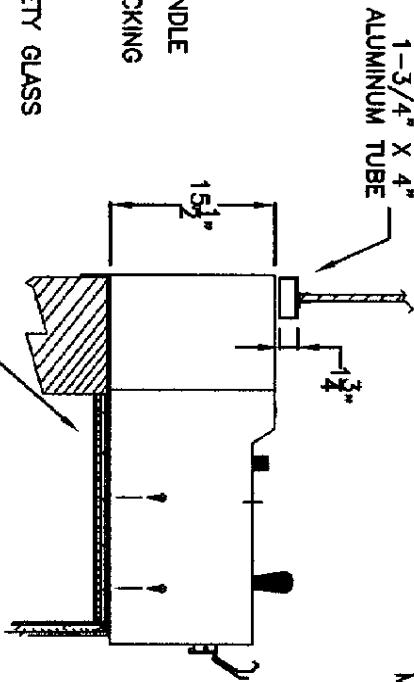
ISO VIEW



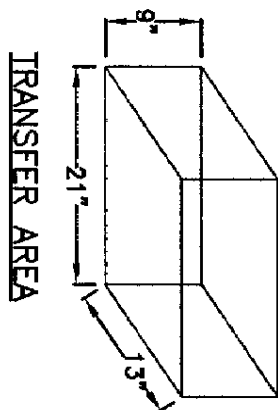
FRONT ELEVATION



DETAILS



SIDE VIEW



TRANSFER AREA

NOTES:
 ROUGH OPENING: 28-3/8"(W) X 15 7/8"(H)
 ACTUAL DIMENSION: 28"(W) X 15-1/2"(H)

OPERATION: MANUAL

FINISH:

EXTERIOR BODY: 18 GA. S/S
 INTERIOR BODY: 18 GA. S/S

MIC AND SPEAKER GRILL: 18 GA S/S

COUNTER TOP LID: 18 GA. S/S W/ 3/8" LEVEL 1
 GLASS-GLAD POLYCARBONATE FOR EXTRA
 SECURITY VIEWING

TRANSFER AREA: 18 GA. S/S WITH WHITE PVC
 SIDE PANELS

FRONT PANEL: 18 GA. S/S LOADED WITH .109
 STEEL PLATE CONSTRUCTED TO MEET UL 752
 LEVEL 1

HANDLE: BLACK PHENOLIC
 SLIDE RAILS: ZINC PLATED STEEL

WEIGHT: 147 LBS.

CAPACITY: 2457 CUBIC INCHES

MAXIMUM BOX SIZE: 9" X 21" X 13"