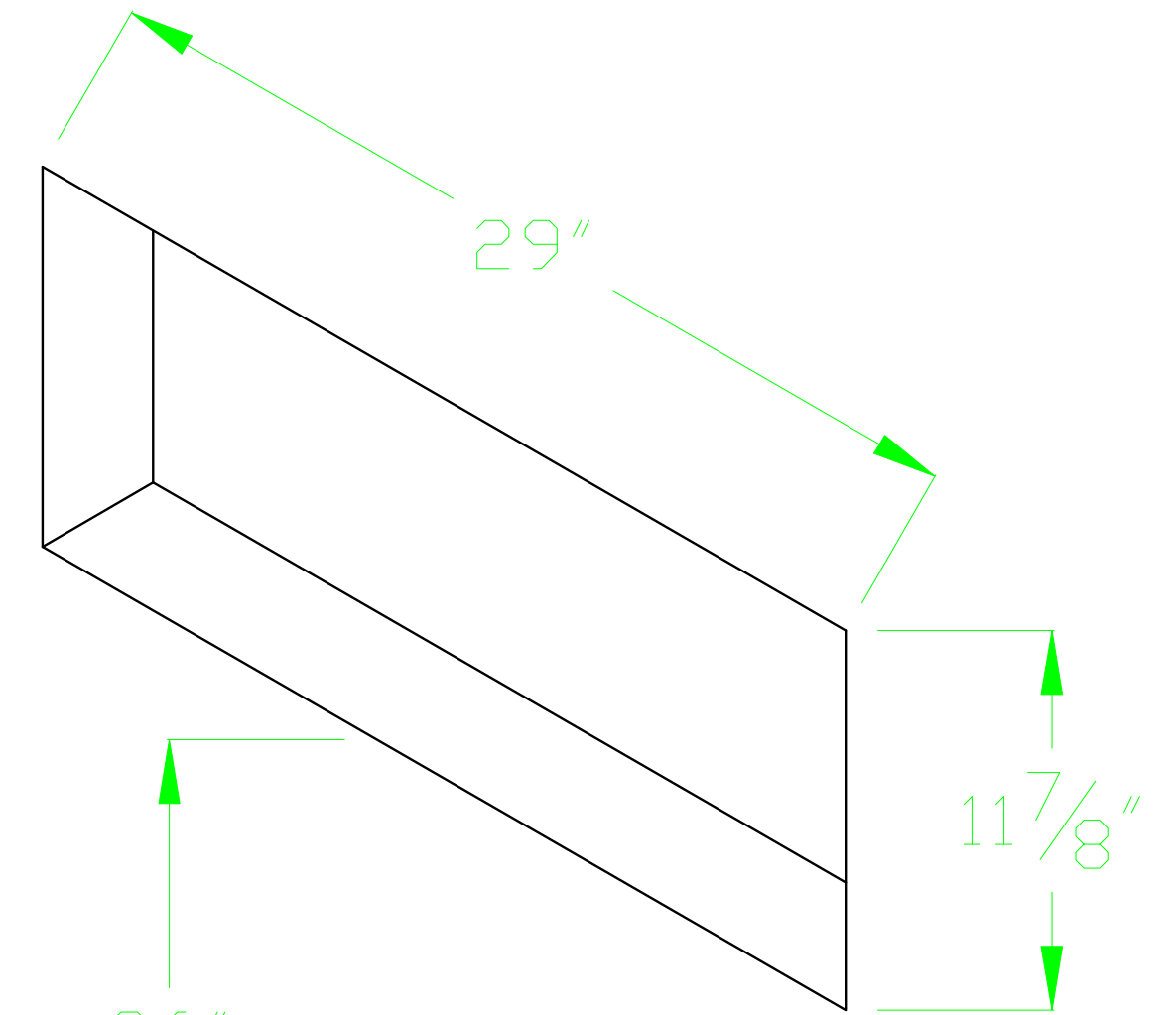
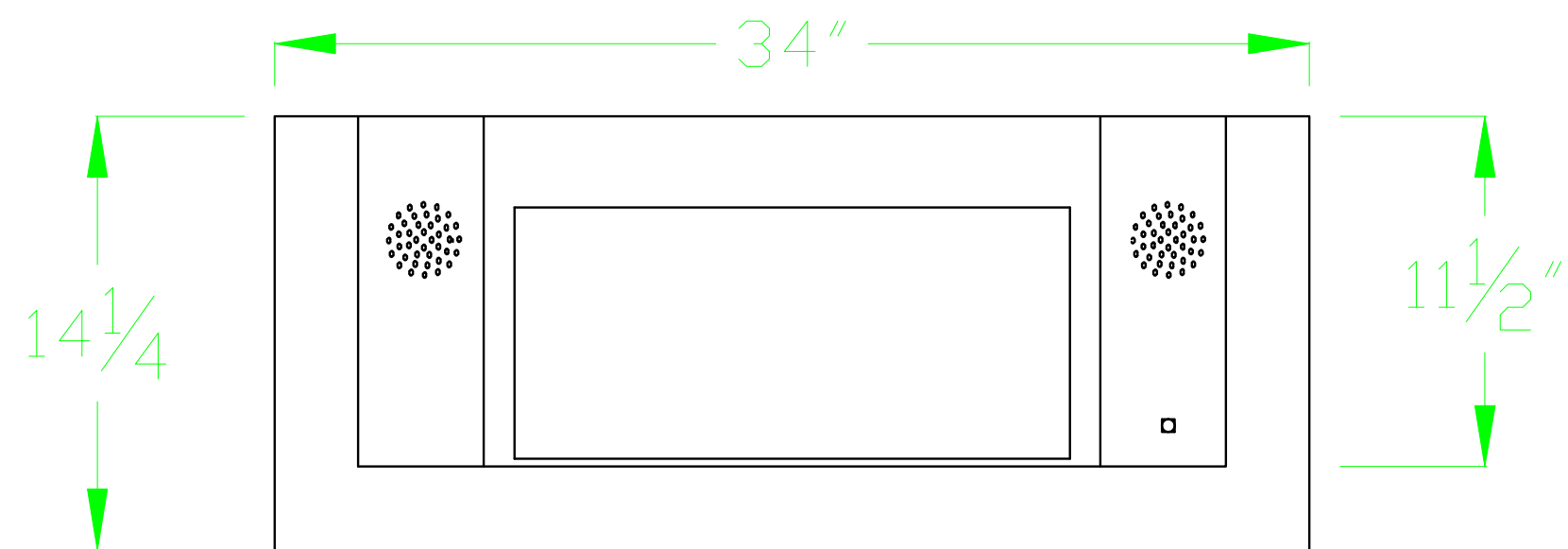


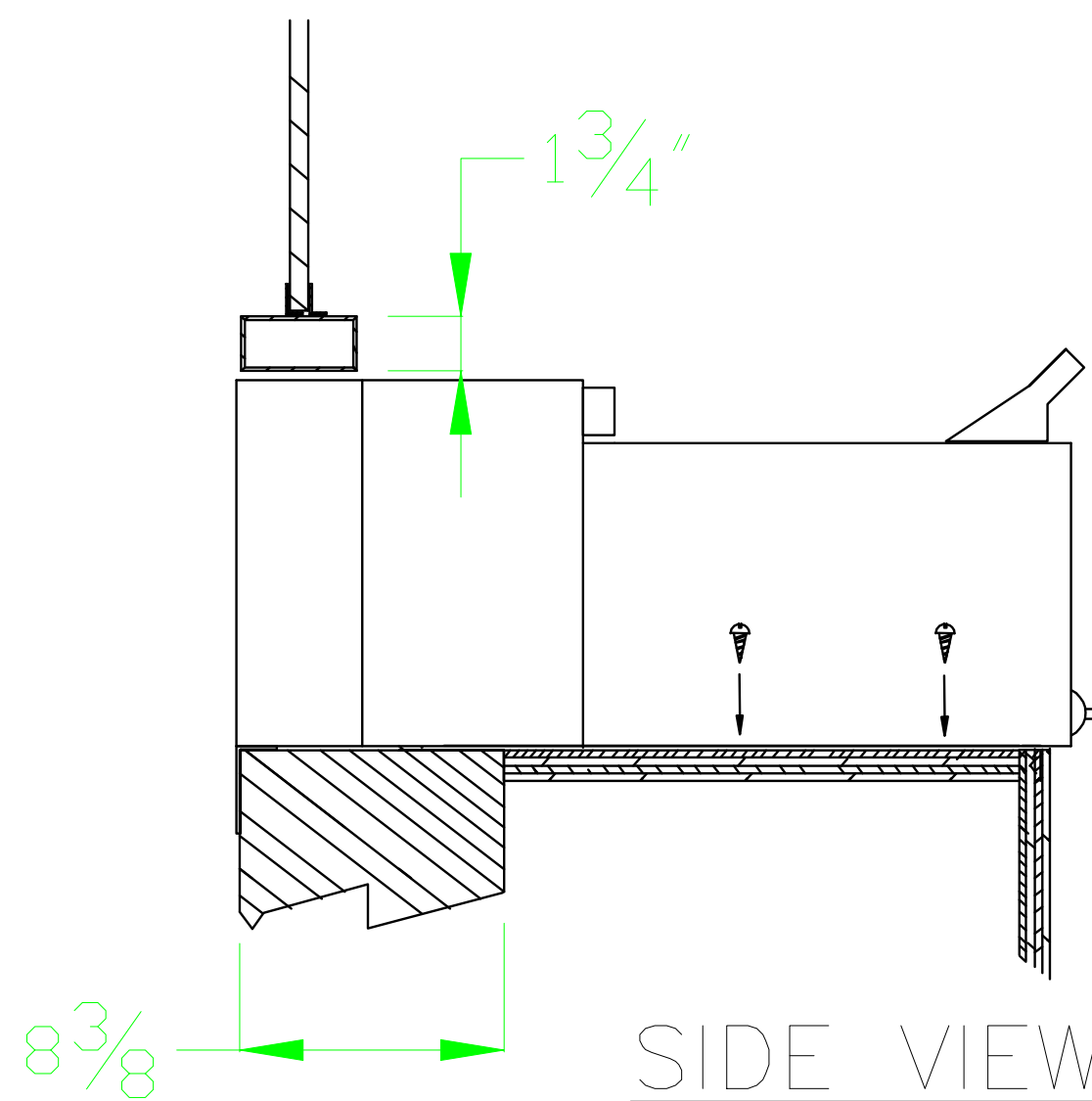
26"  
ABOVE INSIDE  
FINISH FLOOR  
TYP.



26"  
ABOVE INSIDE  
FINISH FLOOR  
TYP.



FRONT ELEVATION



SIDE VIEW

DEAL DRAWER  
MODEL C-130 MEDIUM CAPACITY  
ROUGH OPENING DETAIL SHEET

**RE\*Source LLC**

832-717-0549

Houston, TX

DATE: 03/04/2008	SCALE: NTS	DRAWN: RJE	APPROVED:	DRAWING #: C-130
---------------------	---------------	---------------	-----------	---------------------

FILE:  
C Drive: Drawings