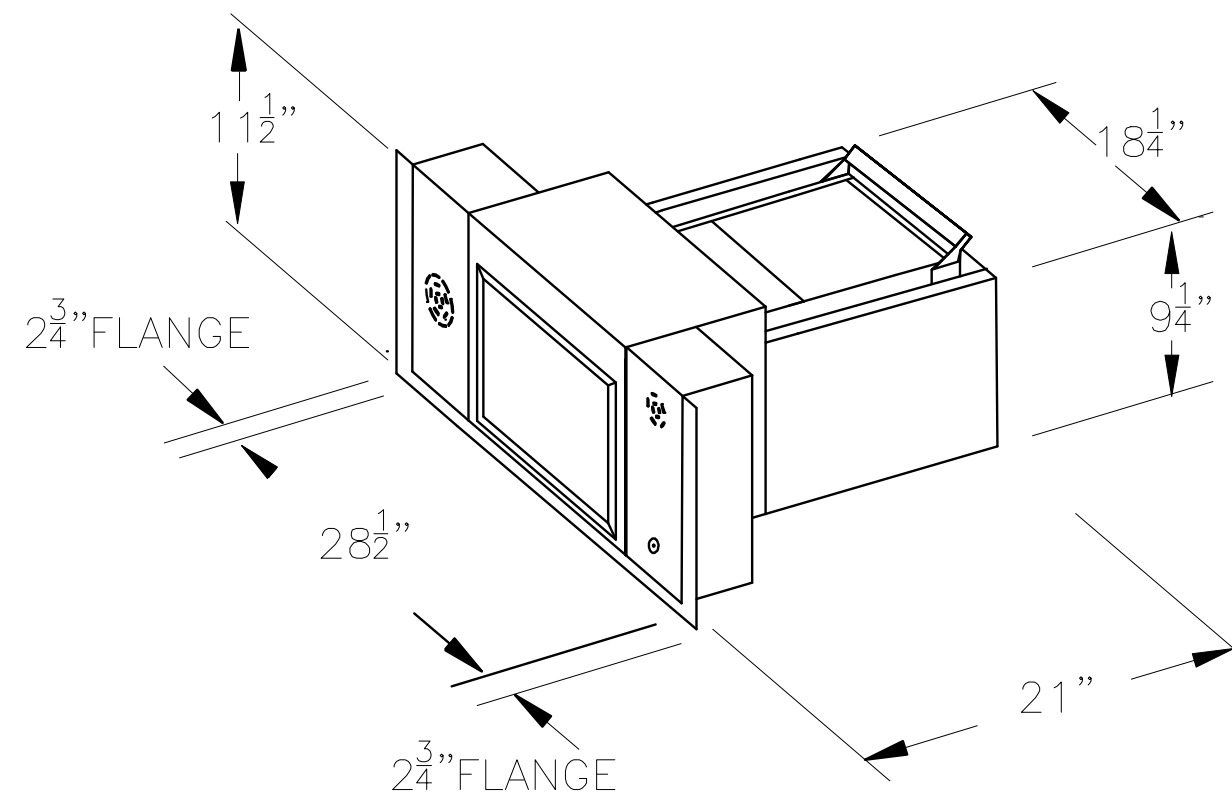


PLAN VIEW



ISO VIEW  
NOT TO SCALE

NOTES:

ROUGH OPENING: 29"(W) X 11 7/8"(H)  
ACTUAL DIMENSION: 28-1/2"(W) X 11-1/2"(H)

OPERATION: MANUAL

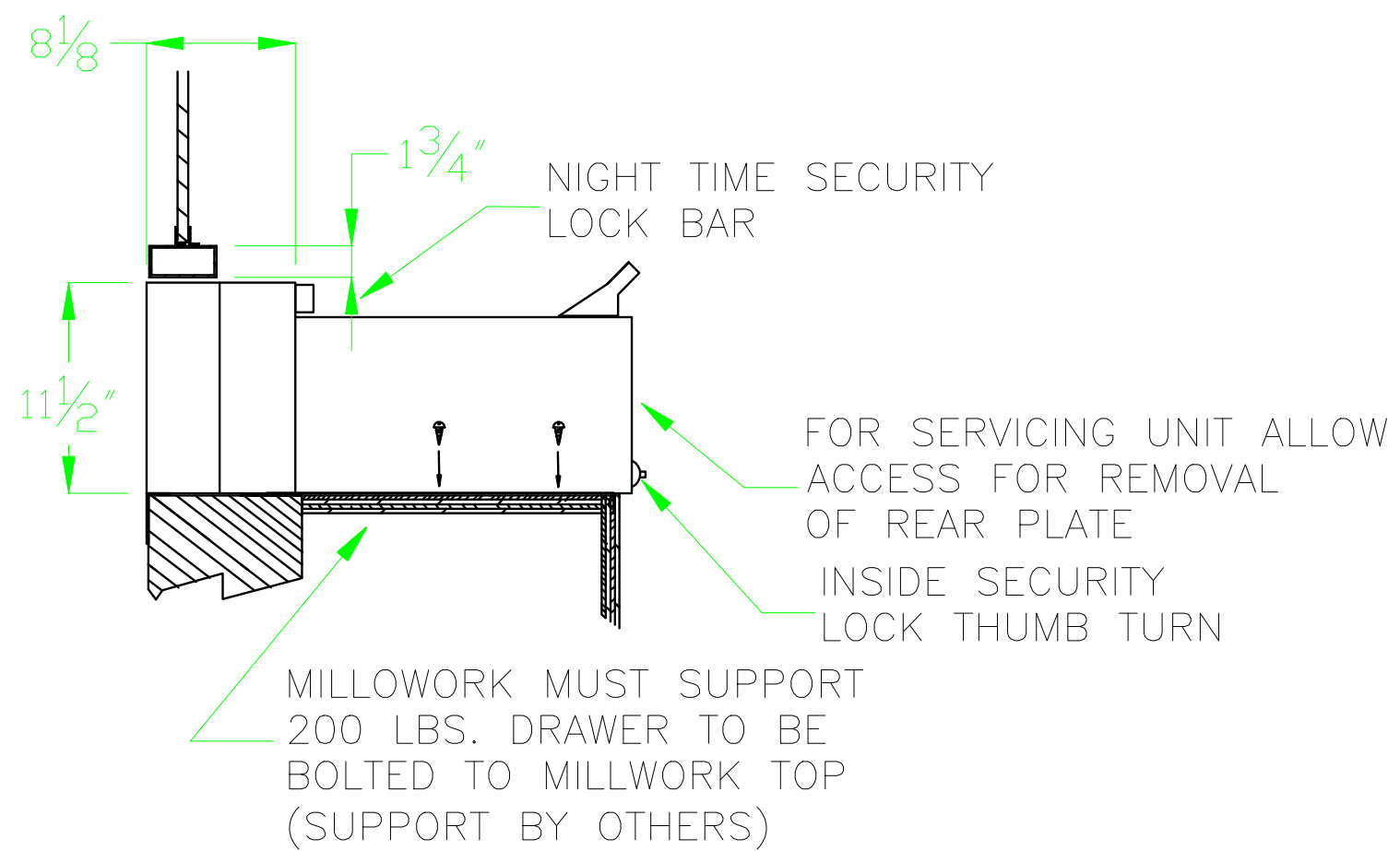
FINISH:

EXTERIOR BODY: 18 GA. S/S  
INTERIOR BODY: 18 GA. S/S  
MIC AND SPEAKER GRILL: 18 GA S/S  
SECURITY SLIDE LID: 16 GA. S/S  
TRANSFER AREA: 18 GA. S/S WITH WHITE PVC SIDE PANELS  
FRONT PANEL: 14 GA. S/S BACKED WITH 16 GA. S/S  
HANDLE: HDPE (HIGH DENSITY POLYETHYLENE) WHITE HANDLE  
SLIDE RAILS: ZINC PLATED STEEL  
LOCK BAR: 6061 ALUMINUM

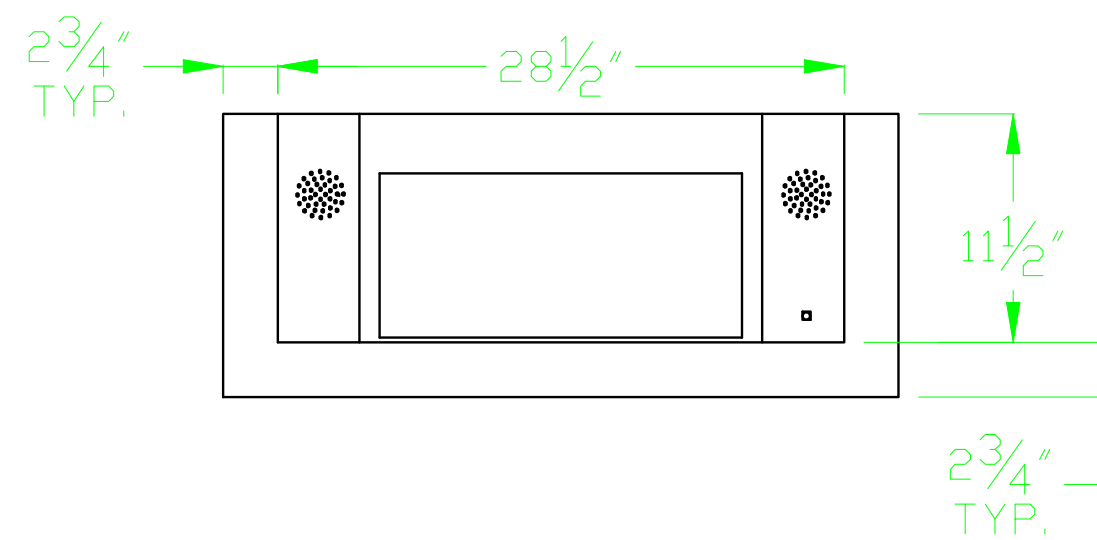
WEIGHT: 140 LBS.

TRANSFER AREA SIZE: 7" X 18" X 13"

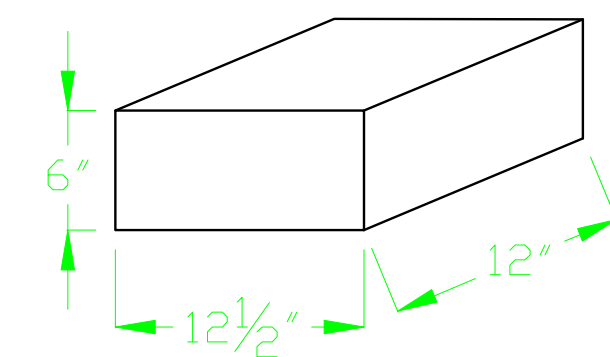
TRANSFER AREA CAPACITY: 1755 CUBIC INCHES



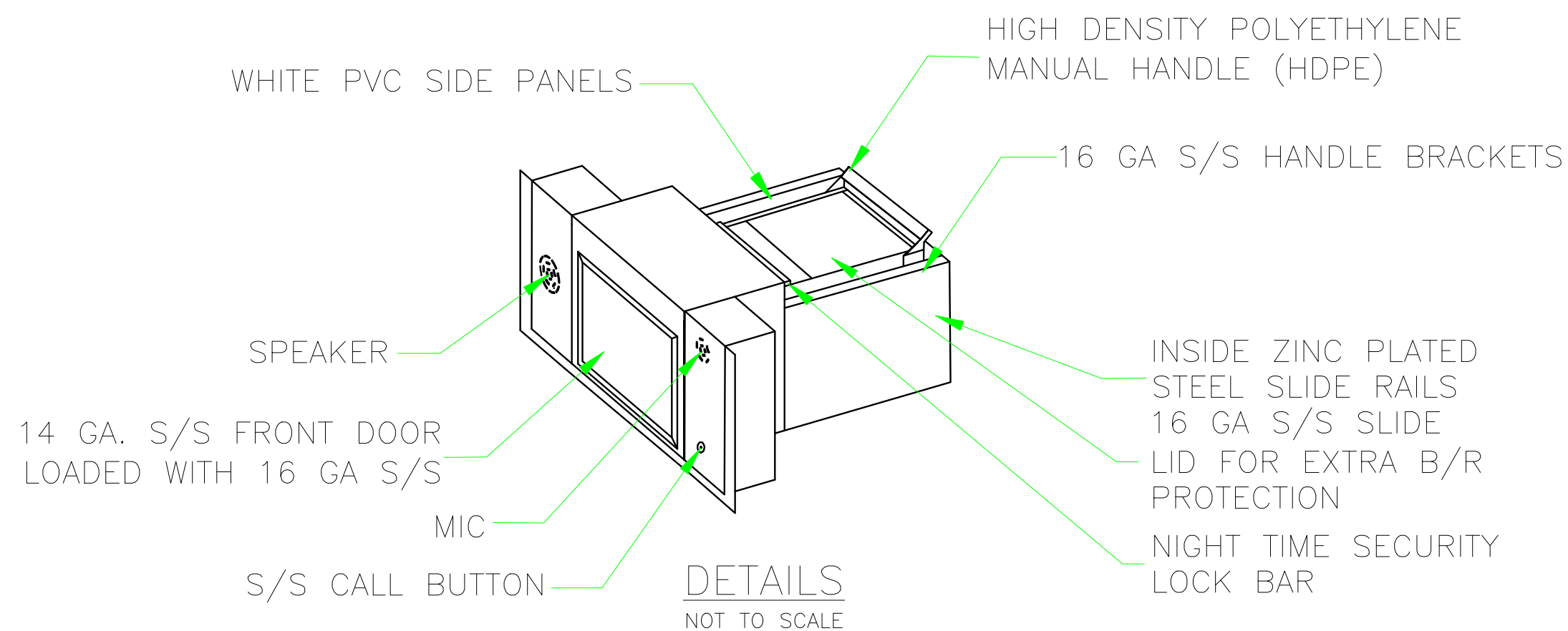
SIDE VIEW



FRONT ELEVATION



MAXIMUM BOX SIZE



DETAILS  
NOT TO SCALE

DEAL DRAWER MODEL C-130 MEDIUM CAPACITY DETAIL SHEET				
RE*Source LLC				
832-717-0549			Houston, TX	
DATE: 03/04/2008	SCALE: NTS	DRAWN: RJE	APPROVED:	DRAWING #: C-130
FILE: C Drive: Drawings				